

#4127 PARTS CATALOG (MQI)

PagePro1250E/1200W

PREFACE

1. The part numbers listed in Parts Catalog are those which were assigned to the parts making up the machine at the time machine was originally introduced onto the market.
2. Parts whose INDEX numbers are shown white against a black background in the illustration are those to be used in only certain market areas. These part numbers are given in the lower half part of the list section. Check the SFIX No. listed in SFIX CHART on page II to find which part number is applicable to your own area.
3. Parts whose INDEX numbers are shown black against a white background in the illustration are those to be used in all market areas. These parts are listed on the upper half part of the list section.
4. If "NS" follows a part number given in the list section, it indicates that we do not keep a stock of the part. The part is not required for ordinary service jobs, either.
5. If "RP" is shown in the REC column of the list section, it indicates that the part is functionally important.
6. In the exploded views in this Parts Catalog the parts (Screws & Washes, etc...) which are indicated with a "four-digit" numbers are listed in numerical order in the section "SCREWS AND WASHERS". Please check these "four-digit" numbers with the part numbers ("ten-digit" numbers) which should be used for ordering the part.
7. All part numbers consist of "ten-digit" which should all be quoted when ordering a part. The price of parts can be obtained by referring to the "Parts Price List" which is separately issued.
8. All information contained in this Parts Catalog is subject to change.

SFIX CHART

SFIX No.	PRODUCT NAME	VOLTAGE	FREQUENCY (Hz)	PAPER SIZE	SFIX No.	PRODUCT NAME	VOLTAGE	FREQUENCY (Hz)	PAPER SIZE
001	PagePro1250E	100V	50/60Hz	METRIC	218	PagePro1200W	220/240V	50/60Hz	METRIC
201	PagePro1250E	220/240V	50Hz	METRIC	301	PagePro1250E	120V	60Hz	INCH
208	PagePro1250E	220/240V	50/60Hz	METRIC	311	PagePro1200W	120V	60Hz	INCH
211	PagePro1200W	220/240V	50Hz	METRIC					

CONTENTS

1. HOUSING 1

2. PAPER TRANSPORT SECTION 3

3. FUSING UNIT 5

4. DRIVE/TRANSFER UNIT 7

5. ELECTRICAL COMPONENTS 9

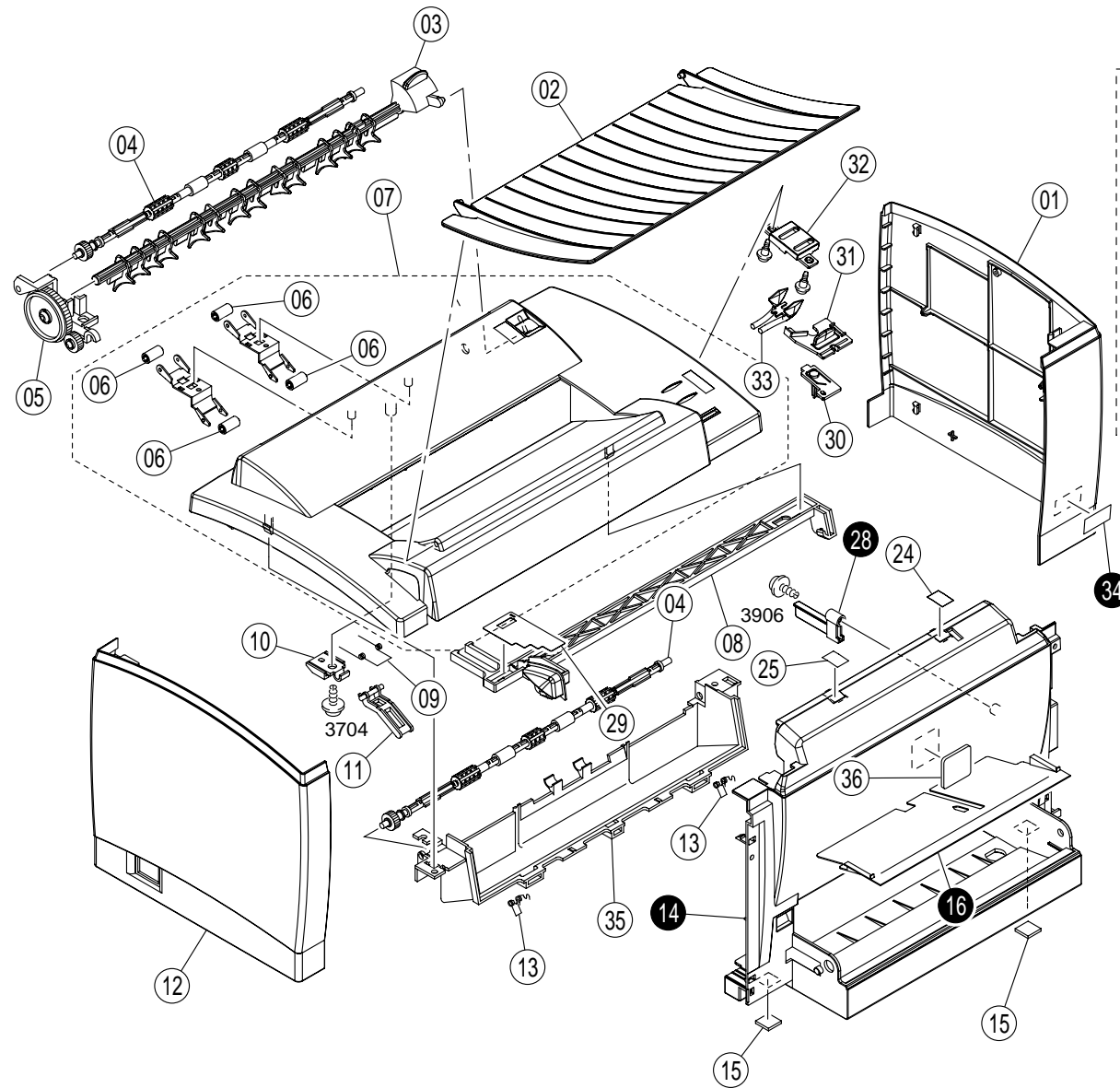
6. 2ND PAPER TAKE-UP (OPTION) 11

7. 2ND PAPER CASSETTE (OPTION) 13

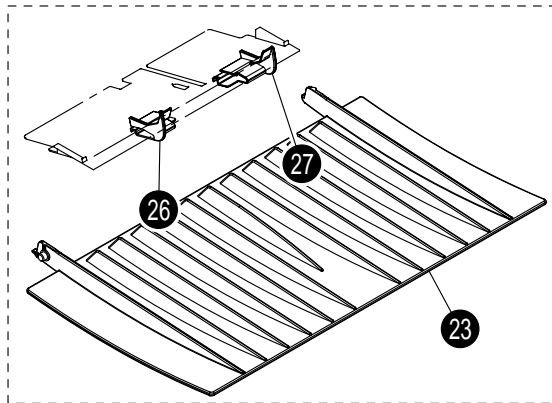
8. SCREWS AND WASHERS 15

9. NUMERICAL INDEX 16

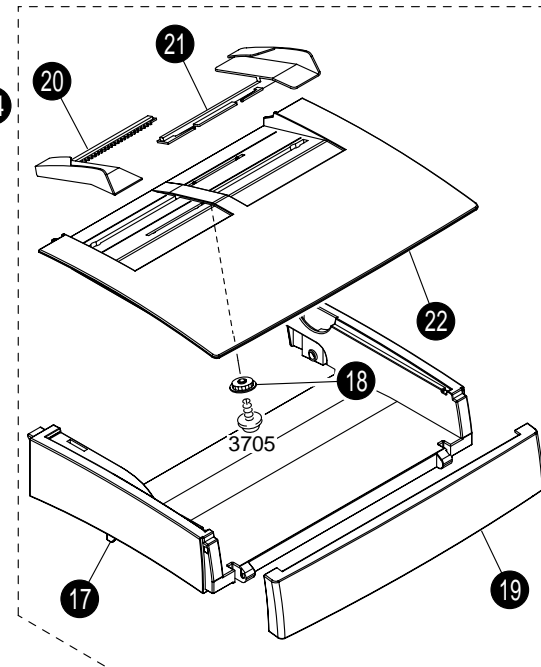
APRIL 2002



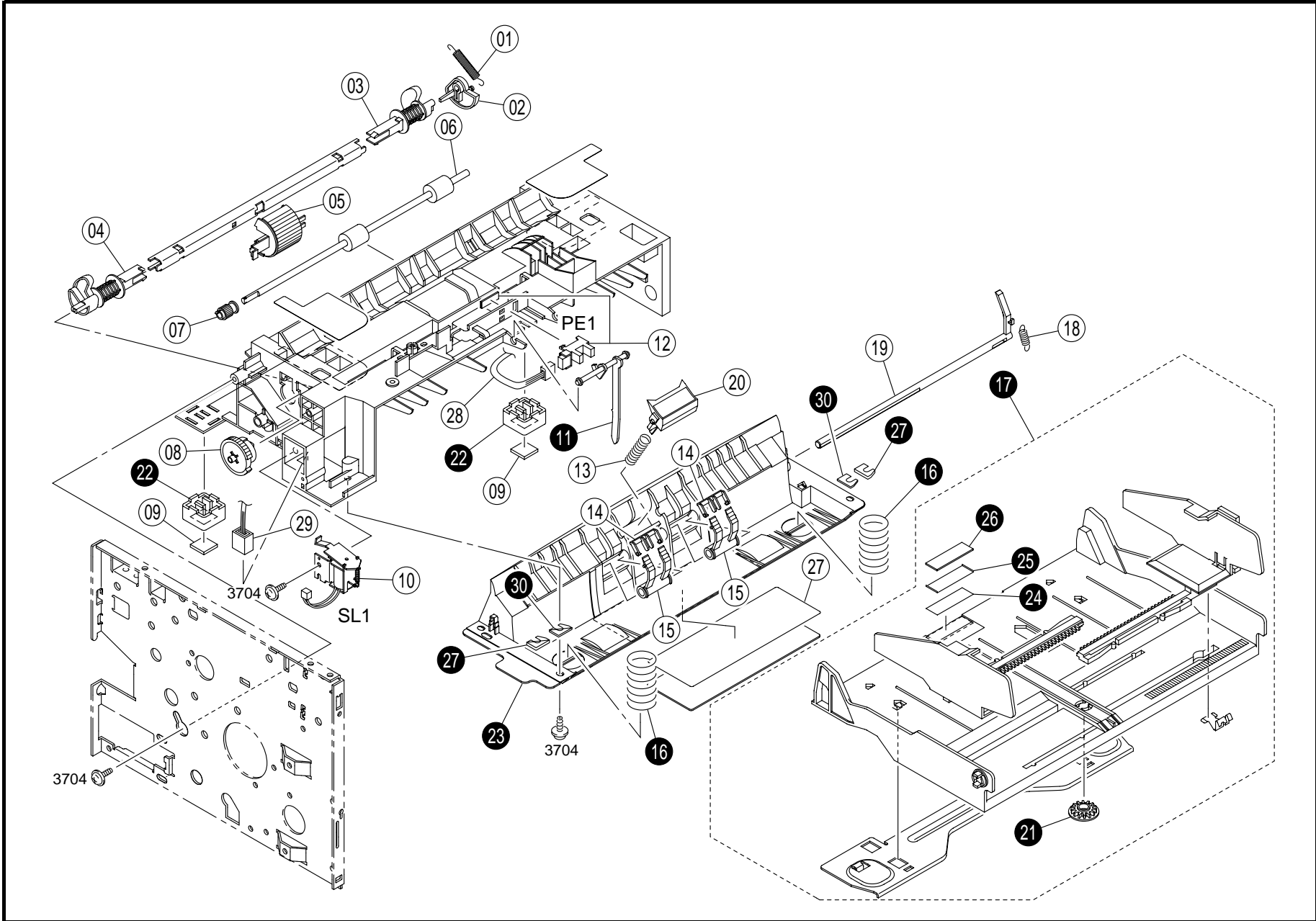
PagePro 1200W



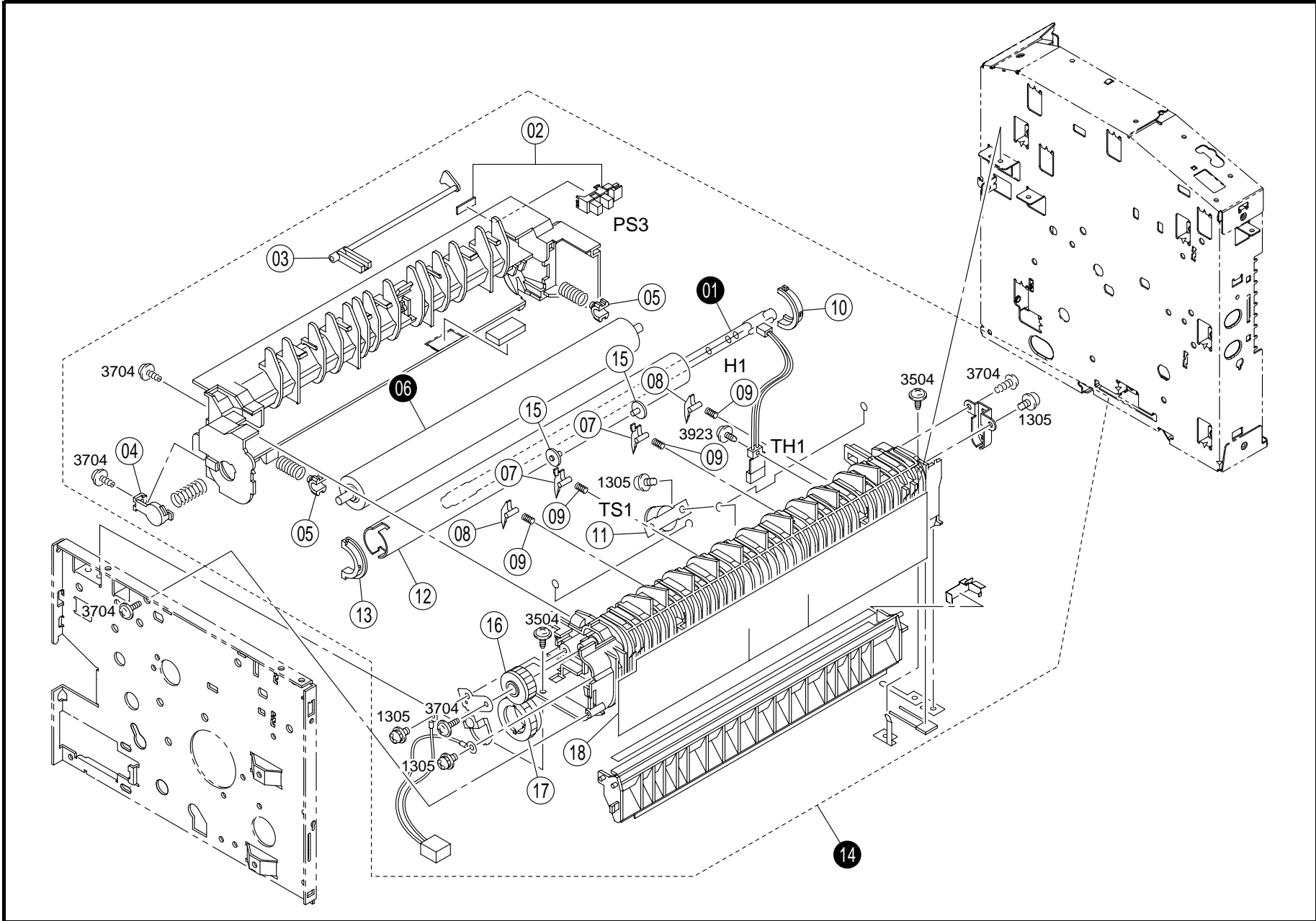
PagePro 1250E



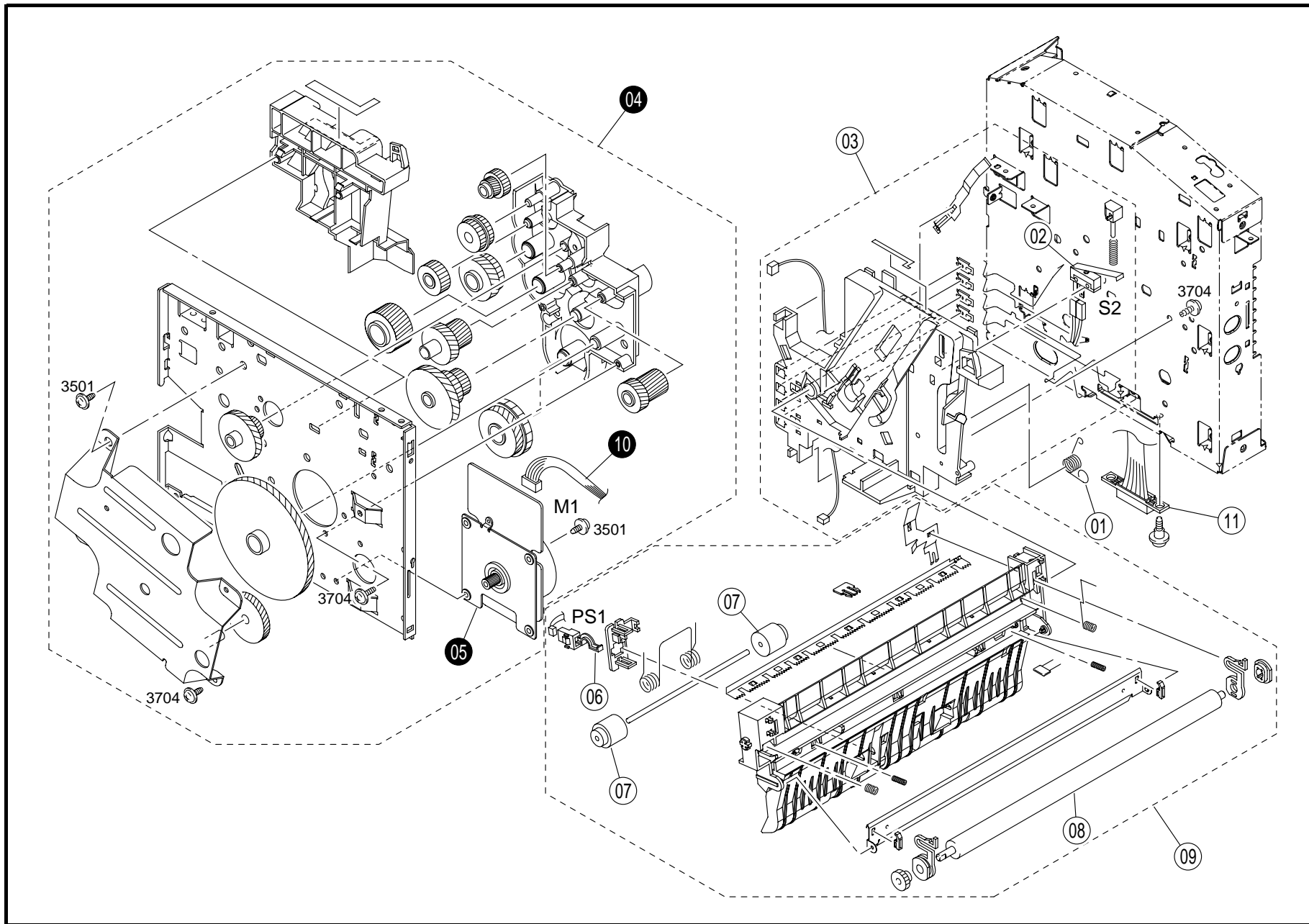
INDEX	PART NO.	PART NAME	REC	QTY	INDEX	PART NO.	PART NAME	REC	QTY
01	4127-1011-03	COVER		1	31	4127-1016-05	BUTTON		1
02	4127-1007-01	TRAY		1	32	4127-1013-01	COVER		1
03	4127-3710-01	GUIDE	RP	1	33	4127-1015-02	LENS		1
04	4127-3730-03	ROLLER	RP	2	35	4127-1002-01	COVER		1
05	4127-0482-01	GEAR ASSY 17/50T		1	36	4127-7301-01	LABEL		1
06	4127-3707-01	ROLL		4					
07	4127-0486-01	TOP COVER ROLL ASSY		1					
08	4127-1004-03	LEVER		1					
09	4127-3763-01	TORSION SPRING		1					
10	4127-3762-01	HOLDER		1					
11	4127-3761-01	MEMBER		1					
12	4127-1010-03	COVER		1					
13	4127-2020-01	TORSION SPRING		2					
15	4127-2015-01	RUBBER FOOT		2					
24	4127-2024-01	LABEL		1					
25	4127-2025-01	LABEL		1					
29	4127-1014-01	COVER		1					
30	4127-1026-04	BUTTON		1					
INDEX	PART NO.	PART NAME	REC	QTY	SFIX				
14	4127-1003-03	FRONT COVER		1	001, 201, 208, 301				
14	4127-1103-04	FRONT COVER		1	211, 218, 311				
16	4127-3201-01	TRAY		1	001, 201, 208, 301				
16	4127-3241-01	TRAY		1	211, 218, 311				
17	4127-1008-01	TRAY		1	001, 201, 208, 301				
18	4127-3104-01	GEAR 14T		1	001, 201, 208, 301				
19	4127-1006-01	COVER		1	001, 201, 208, 301				
20	4127-3203-01	REGULATING PLATE		1	001, 201, 208, 301				
21	4127-3202-01	REGULATING PLATE		1	001, 201, 208, 301				
22	4127-1009-01	COVER		1	001, 201, 208, 301				
23	4127-1108-02	TRAY		1	211, 218, 311				
26	4127-3205-02	REGULATING PLATE		1	211, 218, 311				
27	4127-3204-02	REGULATING PLATE		1	211, 218, 311				
28	4127-2021-01	STOPPER		3	001, 201, 208, 301				
34	4127-7310-01	LABEL		1	001, 201, 208, 301				
34	4127-7311-01	LABEL		1	211, 218, 311				



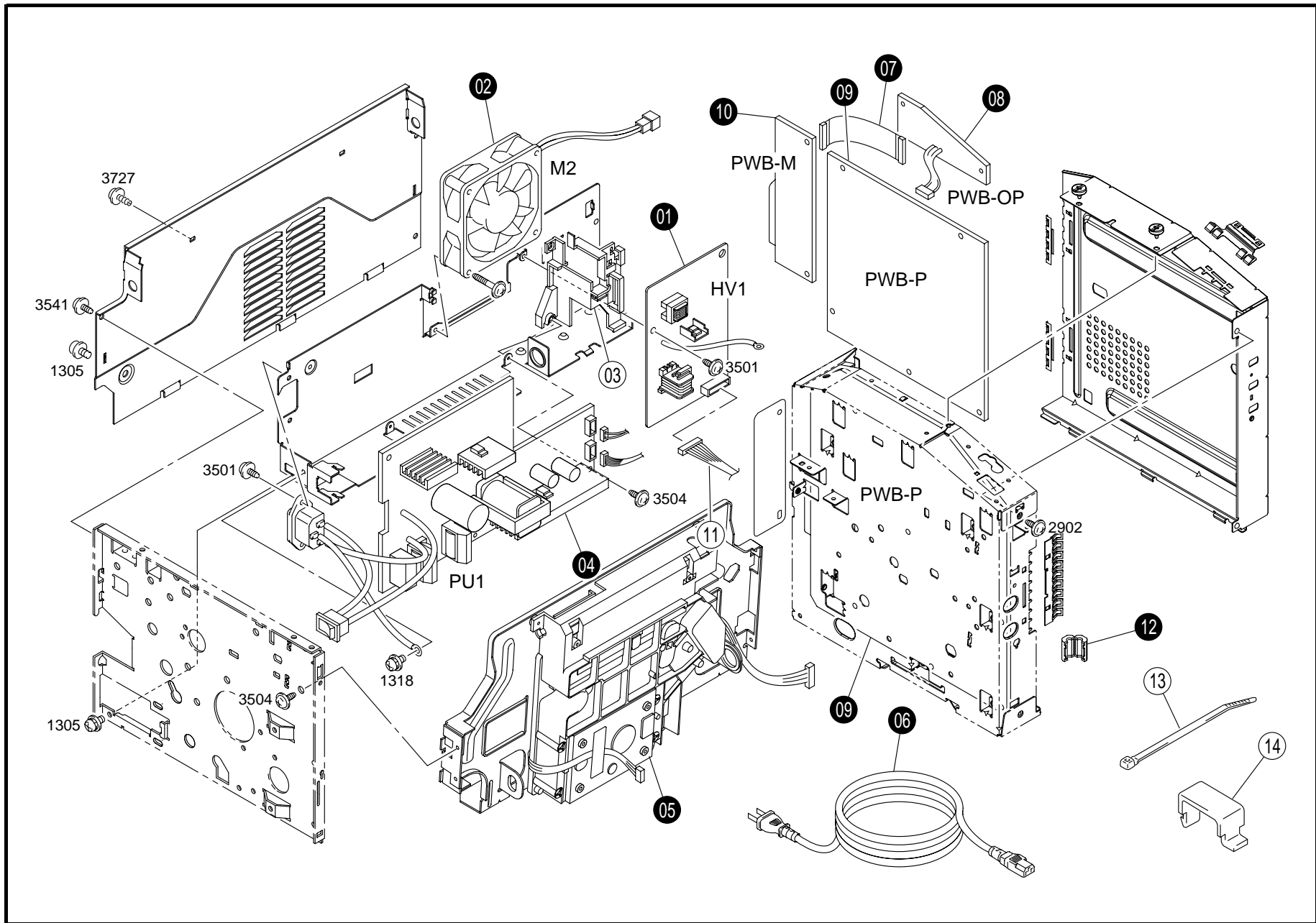
INDEX	PART NO.	PART NAME	REC	QTY	INDEX	PART NO.	PART NAME	REC	QTY
01	4127-3019-02	TENSION SPRING		1	29	4127-6805-01	WIRE HARNESS ASSY		1
02	4127-3026-01	CAM		1					
03	4127-3007-01	CAM		1					
04	4127-3008-02	CAM		1					
05	4127-3001-01	ROLLER	RP	1					
06	4127-3002-01	ROLLER		1					
07	4127-3014-01	GEAR		1					
08	4127-3010-03	GEAR		1					
09	4127-2015-01	RUBBER FOOT		2					
10	9321-2000-32	SOLENOID	P.TAKE-UP (SL1)	RP	1				
12	4127-0901-01	PHOTO INTERRUPTER	PAPER EMP (PE1)	RP	1				
13	4127-3041-02	PRESSURE SPRING		1					
14	4127-3042-03	GUIDE		2					
15	4127-3022-02	STOPPER		2					
18	4127-3027-01	TENSION SPRING		1					
19	4127-3025-01	LEVER		1					
20	4127-0481-01	SEPARATOR PAD	RP	1					
28	4127-6814-01	WIRE HARNESS ASSY		1					
INDEX	PART NO.	PART NAME	REC	QTY	SFIX				
11	4127-3021-02	ACTUATOR		1	001, 201, 208, 301				
11	4127-3521-02	ACTUATOR		1	211, 218, 311				
16	4127-3016-01	PRESSURE SPRING		2	001, 201, 208, 301				
16	4127-3516-02	PRESSURE SPRING		2	211, 218, 311				
17	4127-0492-02	REGULATING PLATE ASSY	RP	1	001, 201, 208, 301				
17	4127-0493-01	REGULATING PLATE ASSY	RP	1	211, 218, 311				
21	4127-3104-01	GEAR		1	001, 201, 208, 301				
22	4127-2016-01	HOLDER		2	001, 201, 208, 301				
23	4127-3501-05	GUIDE		1	001, 201, 208, 301				
23	4127-3551-04	GUIDE		1	211, 218, 311				
24	4127-3115-01	TAPE		1	001, 201, 208, 301				
25	4127-3114-02	REINFORCE PLATE		1	001, 201, 208, 301				
26	4127-3013-01	FRICION SHEET		1	211, 218, 311				
26	4127-3113-01	FRICION SHEET		1	001, 201, 208, 301				
27	4127-3511-01	SPACER		2	001, 201, 208, 301				
30	4127-3512-01	SPACER		2	001, 201, 208, 301				



INDEX	PART NO.	PART NAME	REC	QTY	INDEX	PART NO.	PART NAME	REC	QTY
02	4127-0901-01	PHOTO INTERRUPTER PAPER EXIT (PS3)	RP	1					
03	4127-5518-01	ACTUATOR		1					
04	4127-5534-02	HOLDER		1					
05	4127-5571-01	BUSHING		2					
07	4127-5536-01	SEPARATOR		2					
08	4127-5533-01	SEPARATOR		2					
09	4109-5516-01	PRESSURE SPRING		4					
10	4122-5522-01	BUSHING FUSING		1					
11	4127-6301-01	THERMAL SWITCH (TS1)		1					
12	4121-5501-01	FUSING ROLLER		1					
13	4109-5521-01	BUSHING FUSING		1					
15	4127-5516-02	ROLL		2					
16	4127-5513-01	GEAR		1					
17	4127-5512-02	GEAR		1					
18	4127-5550-04	SEAL		1					
INDEX	PART NO.	PART NAME	REC	QTY	SFIX				
01	4127-6501-02	HEATER HEATER 100V (H1)		1	001				
01	4127-6502-02	HEATER HEATER 120V (H1)		1	301, 311				
01	4127-6503-02	HEATER HEATER 230V (H1)		1	201, 208, 211, 218				
06	4109-5502-01	ROLLER		1	211, 218, 311				
06	4127-5572-01	ROLLER		1	001, 201, 208, 301				
14	4127-0352-02	FUSING UNIT	RP	1	311				
14	4127-0353-02	FUSING UNIT	RP	1	218				
14	4127-0354-01	FUSING UNIT	RP	1	001				
14	4127-0355-01	FUSING UNIT	RP	1	301				
14	4127-0356-01	FUSING UNIT	RP	1	201, 208				

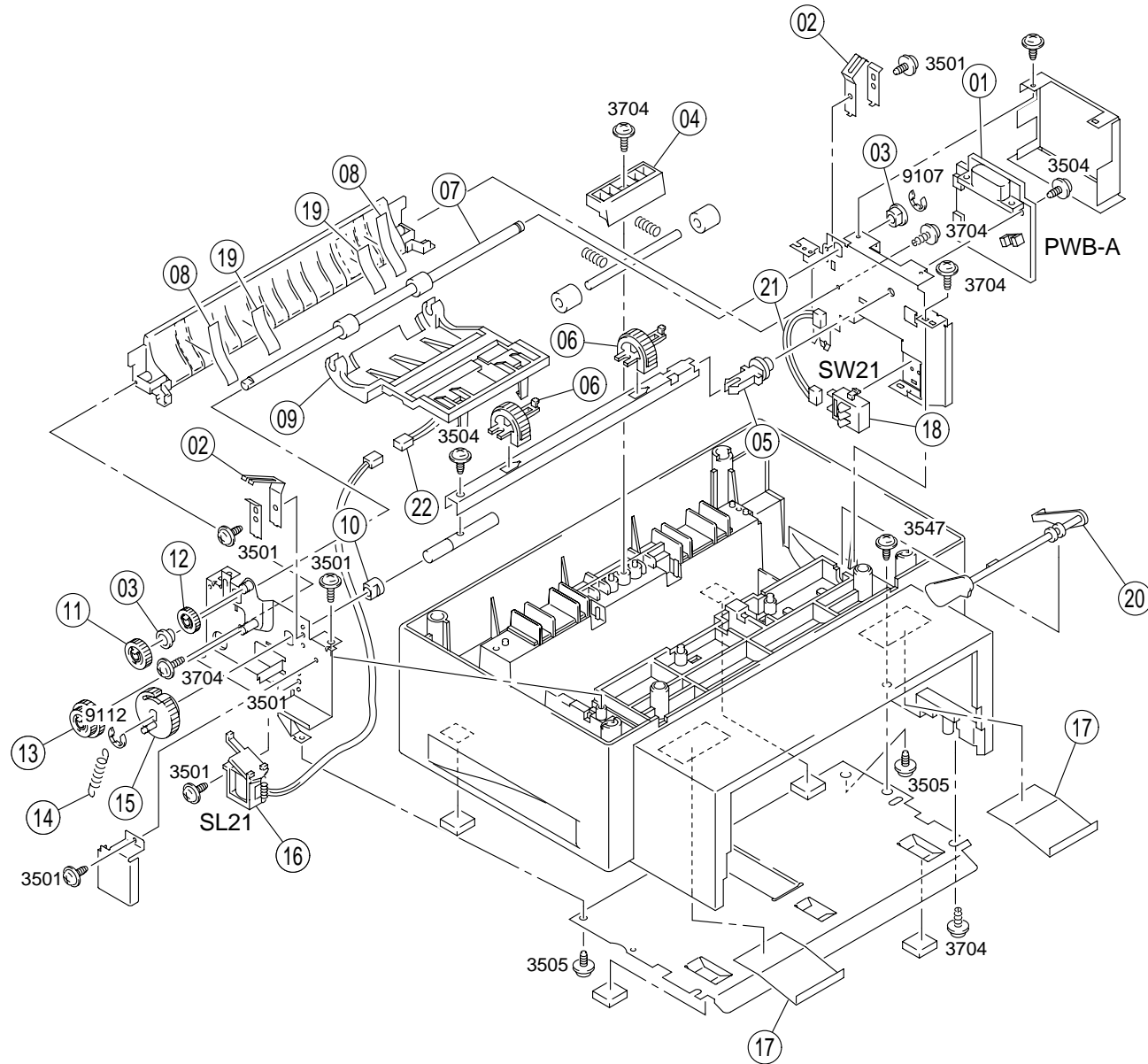


INDEX	PART NO.	PART NAME	REC	QTY	INDEX	PART NO.	PART NAME	REC	QTY
01	4127-2013-02	TORSION SPRING		1					
02	4109-6305-01	SWITCH INTERLOCK (S2)		1					
03	4127-0480-01	I/C GUIDE ASSY		1					
06	4127-6302-01	MICRO-SWITCH P.TAKE-UP (PS1)		1					
07	4127-3006-01	ROLL		2					
08	4127-4103-02	TRANSFER ROLLER TRANSFER	RP	1					
09	4127-0311-01	TRANSFER GUIDE ASSY	RP	1					
11	4127-6810-01	WIRE HARNESS ASSY		1					
INDEX	PART NO.	PART NAME	REC	QTY	SFIX				
04	4127-0301-01	DRIVE GEAR ASSY		1	211, 218, 311				
04	4127-0304-01	DRIVE GEAR ASSY		1	001, 201, 208, 301				
05	9314-2001-21	MOTOR MAIN (M1)		1	211, 218, 311				
05	9314-2100-11	MOTOR MAIN (M1)		1	001, 201, 208, 301				
10	4127-6802-02	WIRE HARNESS ASSY		1	211, 218, 311				
10	4127-6817-02	WIRE HARNESS ASSY		1	001, 201, 208, 301				



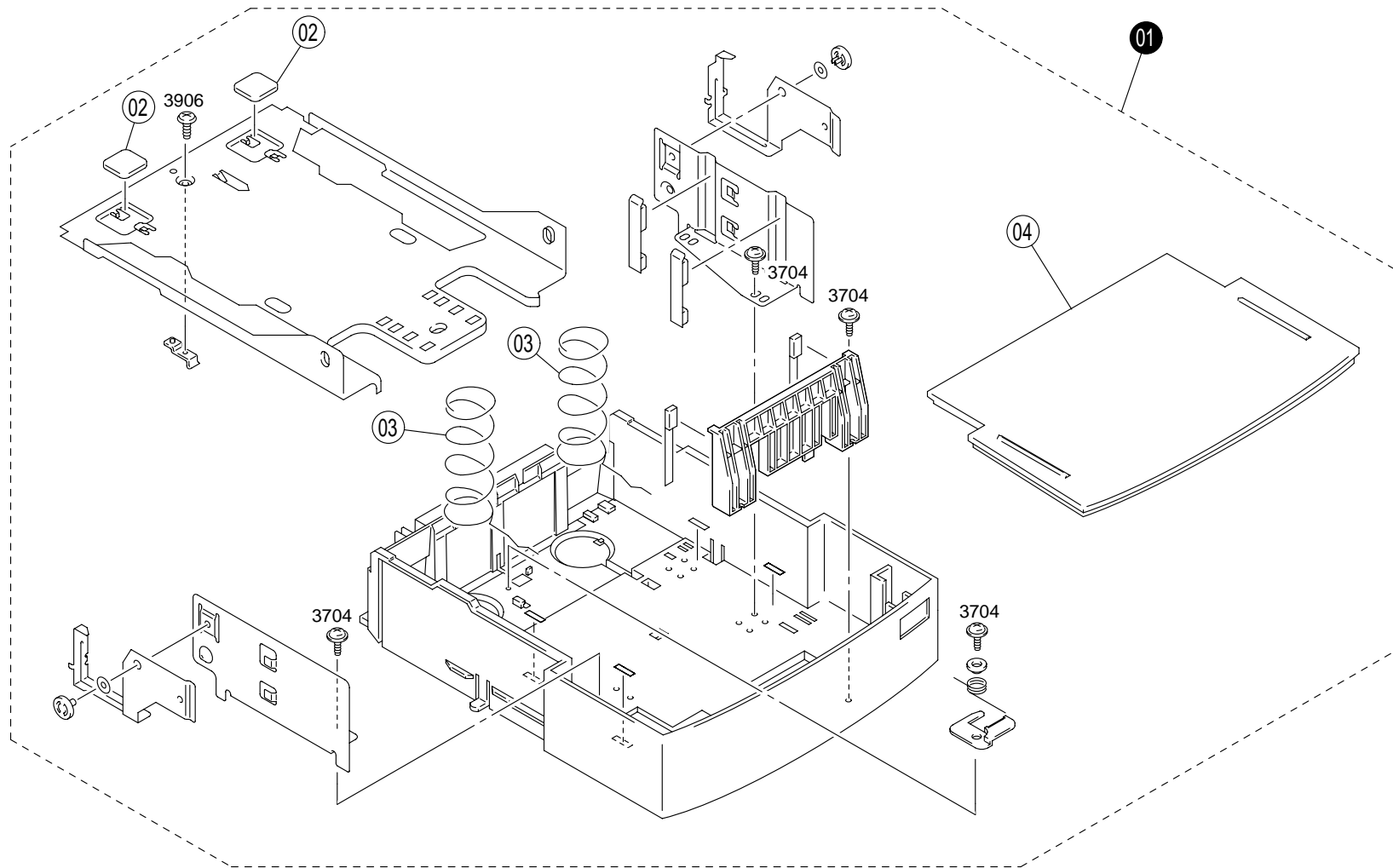
INDEX	PART NO.	PART NAME	REC	QTY	INDEX	PART NO.	PART NAME	REC	QTY
03	4127-2321-01	HOLDER		1					
11	4127-6804-03	WIRE HARNESS ASSY		1					
13	4127-6752-01	CABLE TIE		4					
14	1139-5558-01	CORD CLAMP		1					

INDEX	PART NO.	PART NAME	REC	QTY	SFIX
01	4127-6203-03	HV TRANSFORMER (HV1)	RP	1	211, 218, 311
01	4127-6207-01	HV TRANSFORMER (HV1)	RP	1	001, 201, 208, 301
02	9313-1001-21	FAN MOTOR COOLING (M2)		1	211, 218, 311
02	9313-1100-21	FAN MOTOR COOLING (M2)		1	001, 201, 208, 301
04	4127-6201-02	POWER SUPPLY (PU1)	RP	1	001, 301, 311
04	4127-6202-02	POWER SUPPLY (PU1)	RP	1	201, 208, 211, 218
05	4571-0532-04	PRINT HEAD ASSY (PH)	RP	1	211, 218, 311
05	4571-0534-03	PRINT HEAD ASSY (PH)	RP	1	001, 201, 208, 301
06	9381-4100-11	POWER CORD		1	001
06	9381-4910-21	POWER CORD		1	208, 218
06	9381-4910-71	POWER CORD		1	201, 211
06	9381-4910-91	POWER CORD		1	301, 311
07	4127-6815-01	WIRE HARNESS ASSY		1	211, 218, 311
08	4127-6014-01	PWB (PWB-OP)	RP	1	211, 218, 311
09	4127-0105-04	PWB ASSY (PWB-P)	RP	1	211, 218, 311
09	4127-0106-03	PWB ASSY (PWB-P)	RP	1	001, 201, 208, 301
10	4127-6015-01	PWB (PWB-M)	RP	1	211, 218, 311
12	9326-1810-51	FERRITE CORE		1	001, 201, 208, 301



INDEX	PART NO.	PART NAME	REC	QTY	INDEX	PART NO.	PART NAME	REC	QTY
01	4198-0101-01	PWB ASSY CONNECT (PWB-A)	RP	1	19	4198-3848-01	GUIDE		2
02	4198-3840-02	EARTH GROUND		2	20	4198-3817-02	ACTUATOR		1
03	4156-3838-01	BUSHING		2	21	4165-6802-01	HARNESS		1
04	4165-3833-01	BRACKET		1	22	4165-6801-01	HARNESS		1
05	4498-3334-01	SHAFT		1					
06	4198-3802-01	ROLLER	RP	2					
07	4198-3818-01	ROLLER		1					
08	4165-3845-01	SHEET		2					
09	4198-3820-02	GUIDE		1					
10	1200-3131-07	BUSHING		1					
11	4198-3831-01	GEAR 22T		1					
12	4198-3825-01	GEAR 20/26T		1					
13	4198-3824-01	GEAR 17T		1					
14	4165-3816-01	TENSION SPRING		1					
15	4198-3815-01	GEAR 38T		1					
16	0993-6204-02	SOLENOID P.TAKE-UP (SL21)	RP	1					
17	4198-3847-01	GUIDE		2					
18	9332-3710-11	SWITCH(DETECT) DETECT (SW21)		1					

INDEX	PART NO.	PART NAME	REC	QTY	SFIX



INDEX	PART NO.	PART NAME	REC	QTY	INDEX	PART NO.	PART NAME	REC	QTY
02	4165-3920-01	FRICITION PLATE		2					
03	4166-3962-01	PRESSURE SPRING		2					
04	4165-3907-02	COVER		1					

INDEX	PART NO.	PART NAME	REC	QTY	SFIX
01	4198-0752-01	CASSETTE ASSY		1	001, 201, 208, 211, 218
01	4198-0753-01	CASSETTE ASSY		1	301, 311

PART NO.	FIG.	INDEX	QTY		PART NO.	FIG.	INDEX	QTY		PART NO.	FIG.	INDEX	QTY		PART NO.	FIG.	INDEX	QTY		
0993-6204-02	06	16	1		4127-3104-01	02	21	1		4198-3818-01	06	07	1							
1139-5558-01	05	14	1		4127-3113-01	02	26	1		4198-3820-02	06	09	1							
1200-3131-07	06	10	1		4127-3114-02	02	25	1		4198-3824-01	06	13	1							
4109-5502-01	03	06	1		4127-3115-01	02	24	1		4198-3825-01	06	12	1							
4109-5516-01	03	09	4		4127-3201-01	01	16	1		4198-3831-01	06	11	1							
4109-5521-01	03	13	1		4127-3202-01	01	21	1		4198-3840-02	06	02	2							
4109-6305-01	04	02	1		4127-3203-01	01	20	1		4198-3847-01	06	17	2							
4121-5501-01	03	12	1		4127-3204-02	01	27	1		4198-3848-01	06	19	2							
4122-5522-01	03	10	1		4127-3205-02	01	26	1		4498-3334-01	06	05	1							
4127-0105-04	05	09	1		4127-3241-01	01	16	1		4571-0532-04	05	05	1							
4127-0106-03	05	09	1		4127-3501-05	02	23	1		4571-0534-03	05	05	1							
4127-0301-01	04	04	1		4127-3511-01	02	27	2		9313-1001-21	05	02	1							
4127-0304-01	04	04	1		4127-3512-01	02	30	2		9313-1100-21	05	02	1							
4127-0311-01	04	09	1		4127-3516-02	02	16	2		9314-2001-21	04	05	1							
4127-0352-02	03	14	1		4127-3521-02	02	11	1		9314-2100-11	04	05	1							
4127-0353-02	03	14	1		4127-3551-04	02	23	1		9321-2000-32	02	10	1							
4127-0354-01	03	14	1		4127-3707-01	01	06	4		9326-1810-51	05	12	1							
4127-0355-01	03	14	1		4127-3710-01	01	03	1		9332-3710-11	06	18	1							
4127-0356-01	03	14	1		4127-3730-03	01	04	2		9381-4100-11	05	06	1							
4127-0480-01	04	03	1		4127-3761-01	01	11	1		9381-4910-21	05	06	1							
4127-0481-01	02	20	1		4127-3762-01	01	10	1		9381-4910-71	05	06	1							
4127-0482-01	01	05	1		4127-3763-01	01	09	1		9381-4910-91	05	06	1							
4127-0486-01	01	07	1		4127-4103-02	04	08	1												
4127-0492-02	02	17	1		4127-5512-02	03	17	1												
4127-0493-01	02	17	1		4127-5513-01	03	16	1												
4127-0901-01	02	12	1		4127-5516-02	03	15	2												
4127-0901-01	03	02	1		4127-5518-01	03	03	1												
4127-1002-01	01	35	1		4127-5533-01	03	08	2												
4127-1003-03	01	14	1		4127-5534-02	03	04	1												
4127-1004-03	01	08	1		4127-5536-01	03	07	2												
4127-1006-01	01	19	1		4127-5550-04	03	18	1												
4127-1007-01	01	02	1		4127-5571-01	03	05	2												
4127-1008-01	01	17	1		4127-5572-01	03	06	1												
4127-1009-01	01	22	1		4127-6014-01	05	08	1												
4127-1010-03	01	12	1		4127-6015-01	05	10	1												
4127-1011-03	01	01	1		4127-6201-02	05	04	1												
4127-1013-01	01	32	1		4127-6202-02	05	04	1												
4127-1014-01	01	29	1		4127-6203-03	05	01	1												
4127-1015-02	01	33	1		4127-6207-01	05	01	1												
4127-1016-05	01	31	1		4127-6301-01	03	11	1												
4127-1026-04	01	30	1		4127-6302-01	04	06	1												
4127-1103-04	01	14	1		4127-6501-02	03	01	1												
4127-1108-02	01	23	1		4127-6502-02	03	01	1												
4127-2013-02	04	01	1		4127-6503-02	03	01	1												
4127-2015-01	01	15	2		4127-6752-01	05	13	4												
4127-2015-01	02	09	2		4127-6802-02	04	10	1												
4127-2016-01	02	22	2		4127-6804-03	05	11	1												
4127-2020-01	01	13	2		4127-6805-01	02	29	1												
4127-2021-01	01	28	3		4127-6810-01	04	11	1												
4127-2024-01	01	24	1		4127-6814-01	02	28	1												
4127-2025-01	01	25	1		4127-6815-01	05	07	1												
4127-2321-01	05	03	1		4127-6817-02	04	10	1												
4127-3001-01	02	05	1		4127-7301-01	01	36	1												
4127-3002-01	02	06	1		4127-7310-01	01	34	1												
4127-3006-01	04	07	2		4127-7311-01	01	34	1												
4127-3007-01	02	03	1		4156-3838-01	06	03	2												
4127-3008-02	02	04	1		4165-3816-01	06	14	1												
4127-3010-03	02	08	1		4165-3833-01	06	04	1												
4127-3013-01	02	26	1		4165-3845-01	06	08	2												
4127-3014-01	02	07	1		4165-3907-02	07	04	1												
4127-3016-01	02	16	2		4165-3920-01	07	02	2												
4127-3019-02	02	01	1		4165-6801-01	06	22	1												
4127-3021-02	02	11	1		4165-6802-01	06	21	1												
4127-3022-02	02	15	2		4166-3962-01	07	03	2												
4127-3025-01	02	19	1		4198-0101-01	06	01	1												
4127-3026-01	02	02	1		4198-0752-01	07	01	1												
4127-3027-01	02	18	1		4198-0753-01	07	01	1												
4127-3041-02	02	13	1		4198-3802-01	06	06	2												
4127-3042-03	02	14	2		4198-3815-01	06	15	1												
4127-3104-01	01	18	1		4198-3817-02	06	20	1												